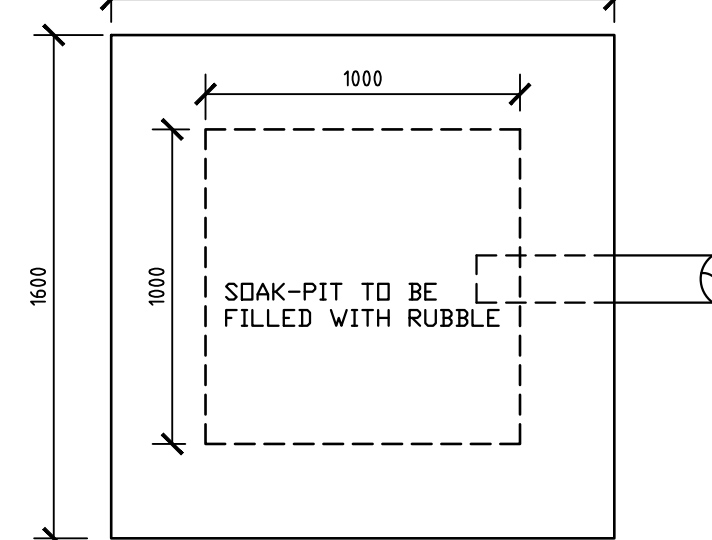
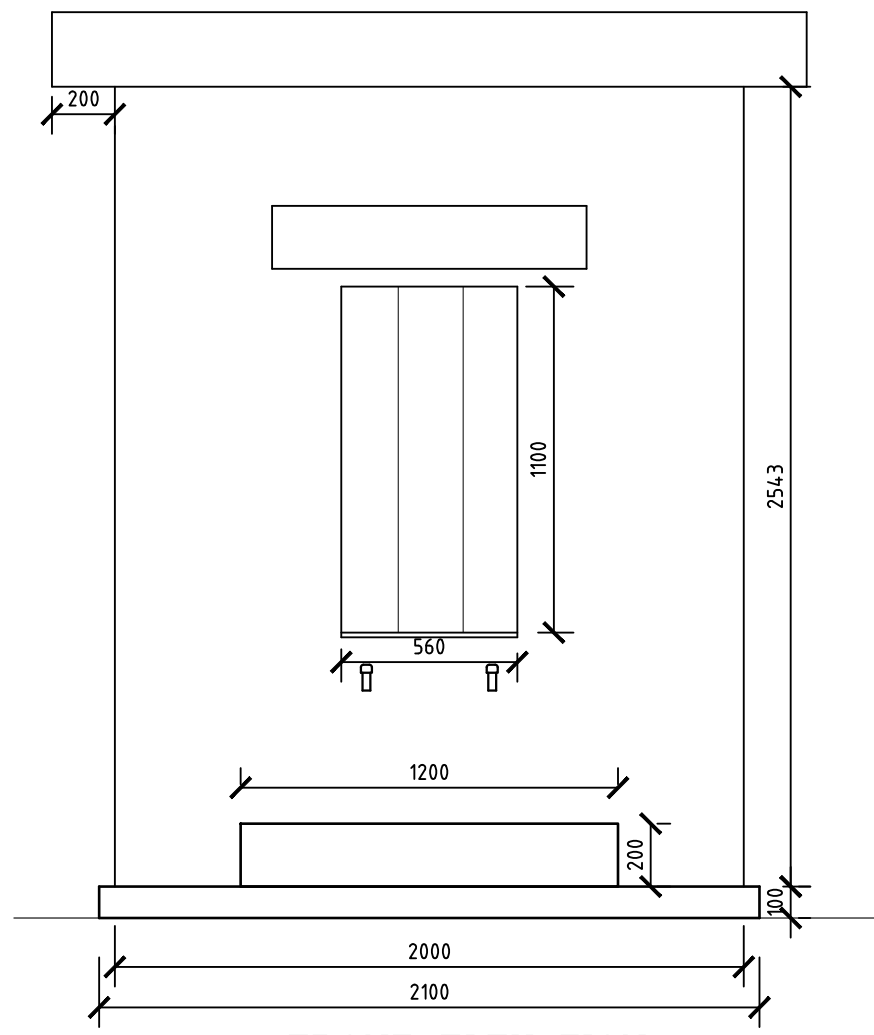


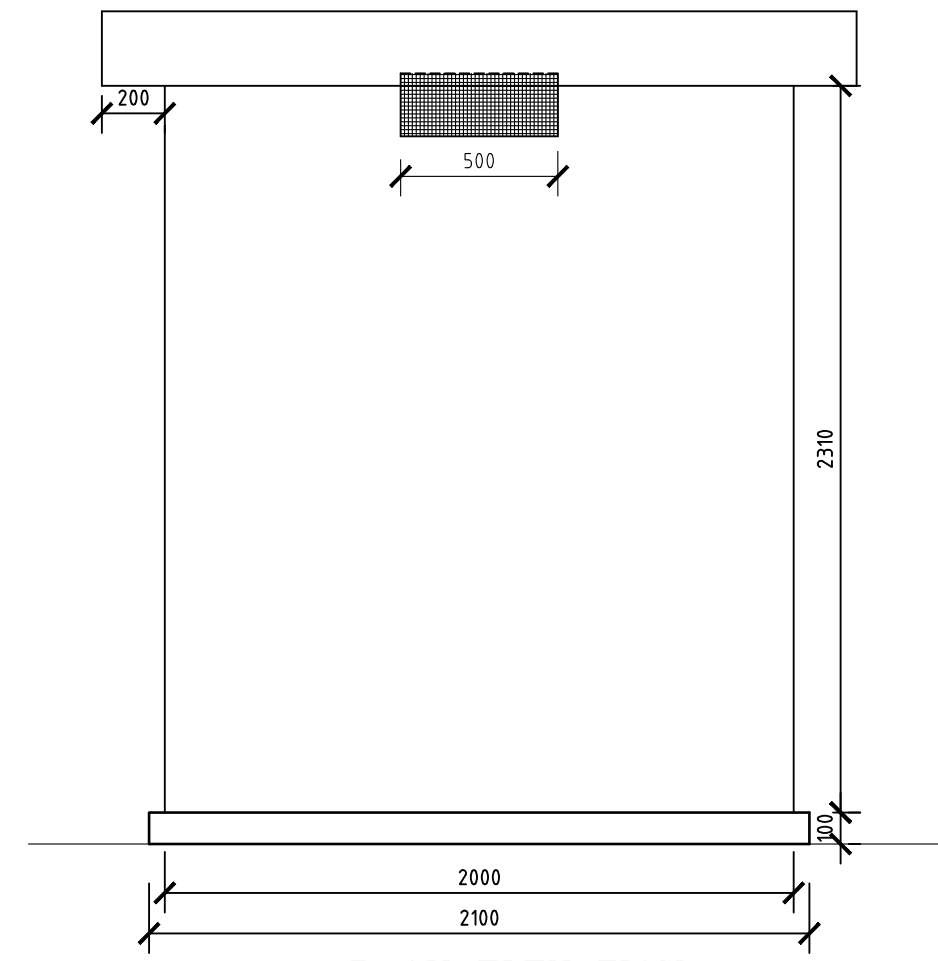
**NOTE**  
SOAK-PIT TO BE PLACED  
6m. FROM BUILDING AND  
OPPOSITE DOOR WAY



**SECTION B-B**  
SCALE 1:25



**FRONT ELEVATION**  
SCALE 1:25



**BACK ELEVATION**  
SCALE 1:25

NATIONAL ENVIRONMENTAL  
AUTHORITY



**WATER KIOSK**

ALL DIMENSIONS IN MILLIMETERS

DESIGNED	ENN	Sep 2019	SHEET 3 OF 4
DRAWN	ENN		SCALE: AS SHOWN
DIGITIZED	ENN		DRG. NO.
CHECKED	ENG. GITAHI		
APPROVED	ENG. GITAHI		001