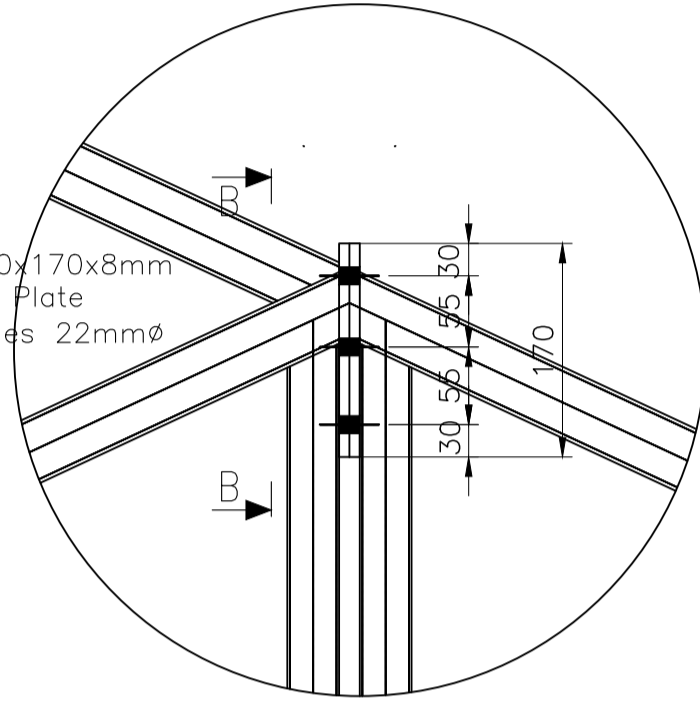
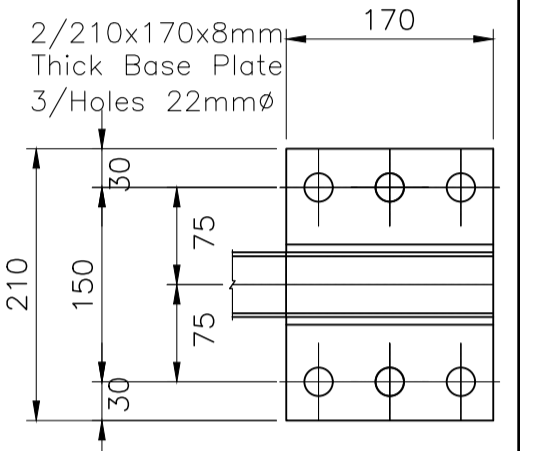


DETAIL ~ '01'

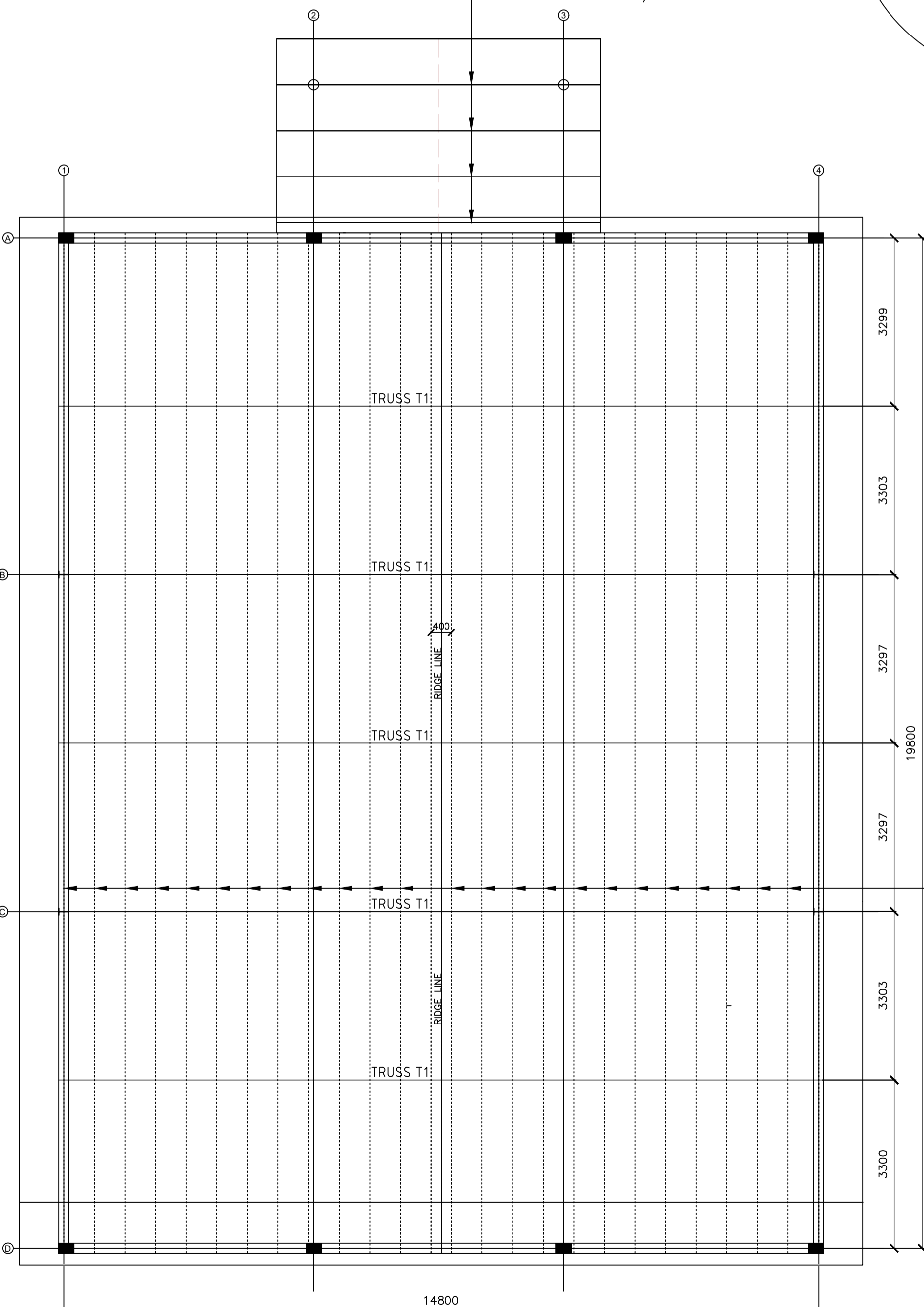


DETAIL ~ '03'

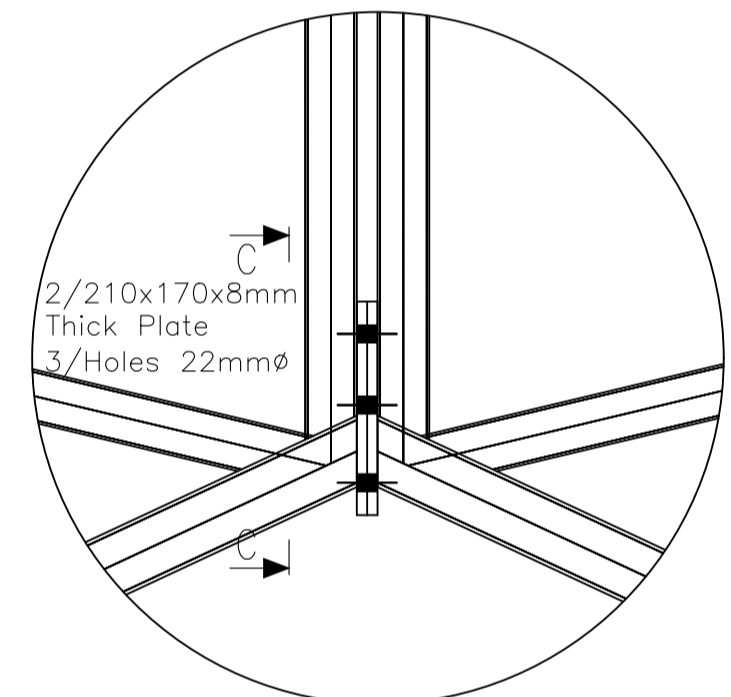


SECTION B-B

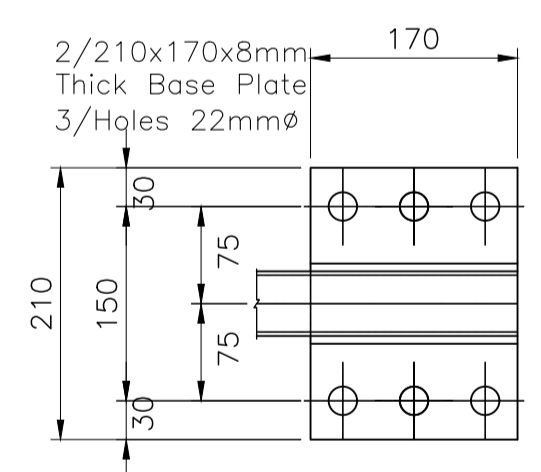
40x40x3mm STEEL PURLINS @900mm c/c



ROOF LAYOUT
(ALL PURLINS ARE 100X50X3 STEEL @600mm c/c)
SCALE 1:75



DETAIL ~ '04'



SECTION C-C

100x50x3mm STEEL PURLINS @600mm c/c

REV:	AMENDMENTS	DATE
TITLE: ROOF LAYOUT AND DETAILS		
PROJECT: ADAPTATION VILLAGE HALL		
CLIENT: NATIONAL ENVIRONMENT AND MANAGEMENT AUTHORITY		
Designed by:	ENN	Drawn by: charles
Checked by:	CNG	Acad File:c:/Evans/2019/
Date	SEPTEMBER 2019	Drg. No. 2019/09/19
Scales:	AS SHOWN	Sheet 1 OF 1