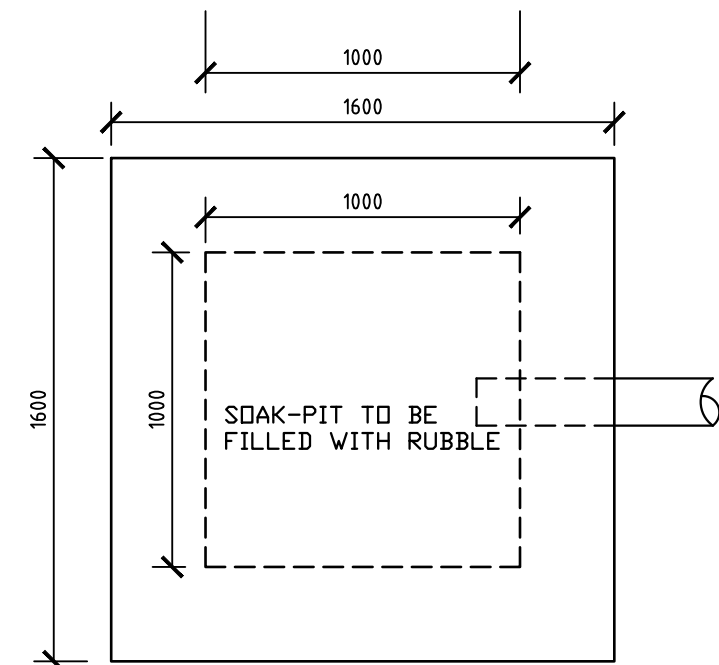
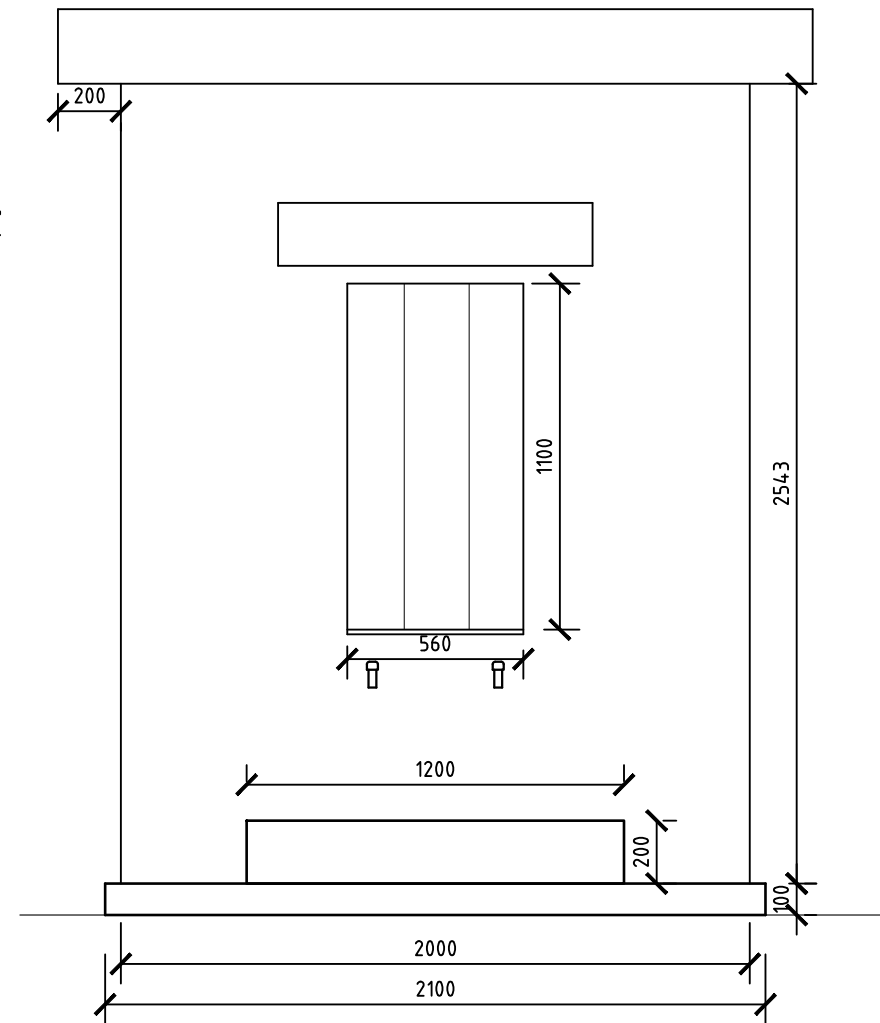


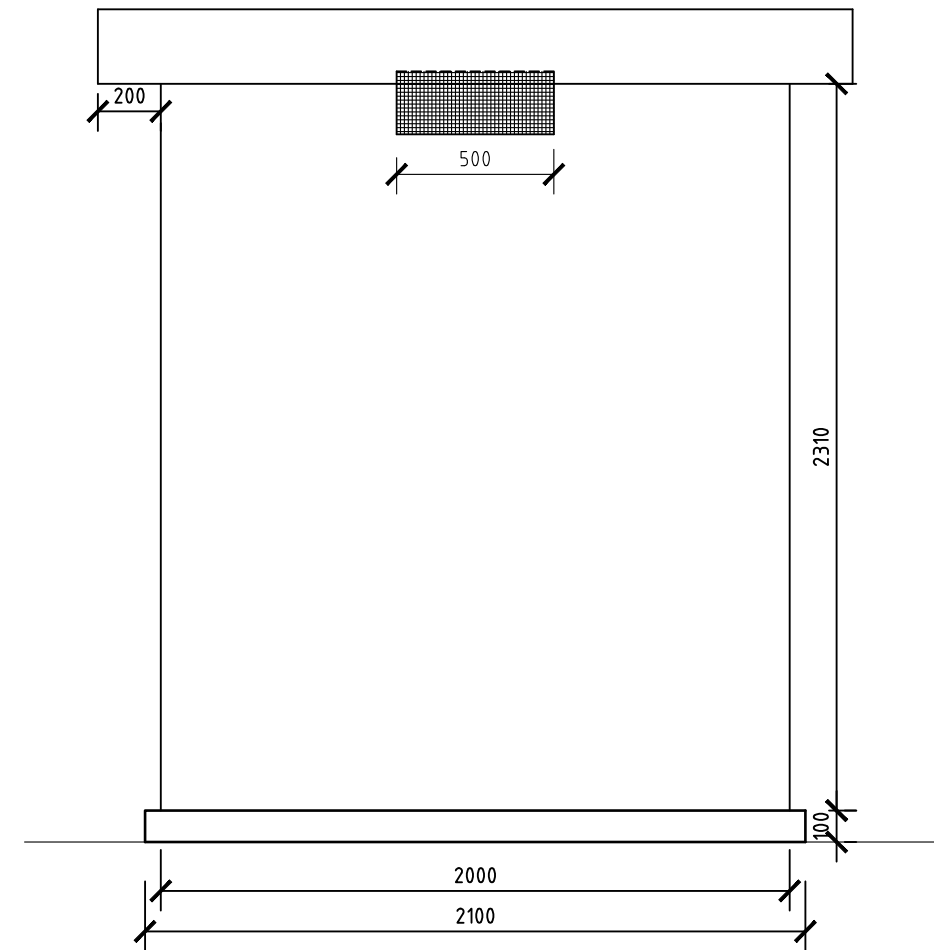
NOTE
SOAK-PIT TO BE PLACED
6m. FROM BUILDING AND
OPPOSITE DOOR WAY



SECTION B-B
SCALE 1:25



FRONT ELEVATION
SCALE 1:25



BACK ELEVATION
SCALE 1:25

NATIONAL ENVIRONMENTAL
AUTHORITY



WATER KIOSK

ALL DIMENSIONS IN MILLIMETERS

DESIGNED	ENN	Sep 2019	SHEET 3 OF 4
DRAWN	ENN		SCALE: AS SHOWN
DIGITIZED	ENN		DRG. NO.
CHECKED	ENG. GITAHI		
APPROVED	ENG. GITAHI		001