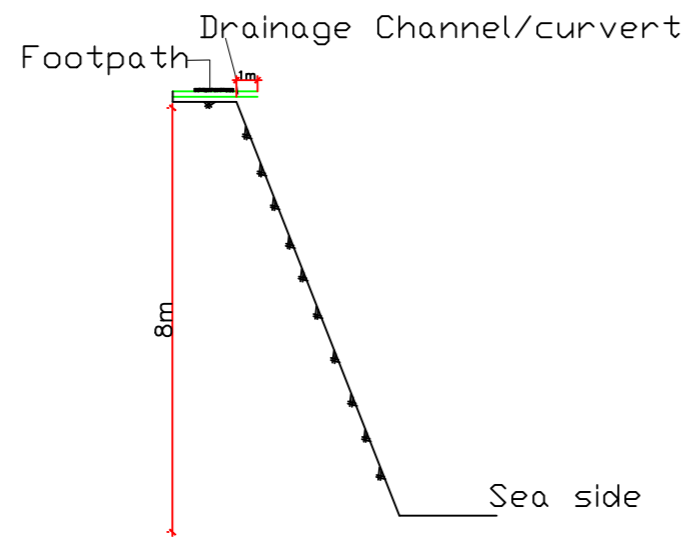
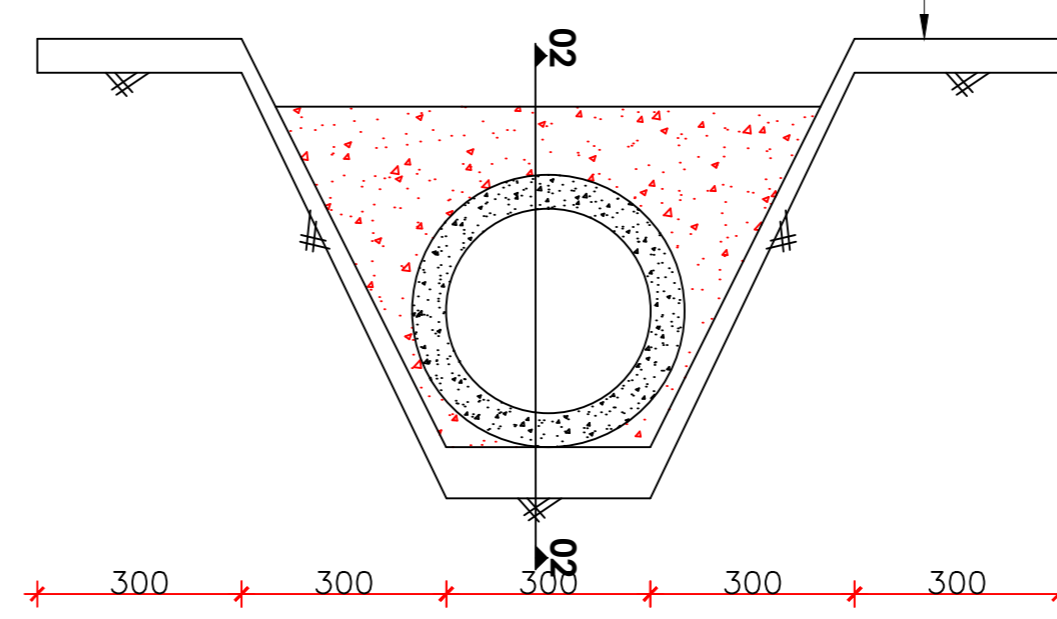


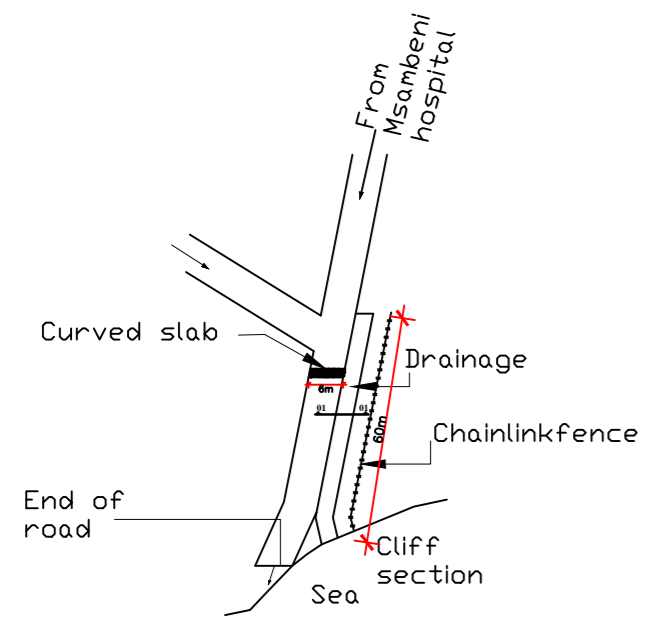
Location layout



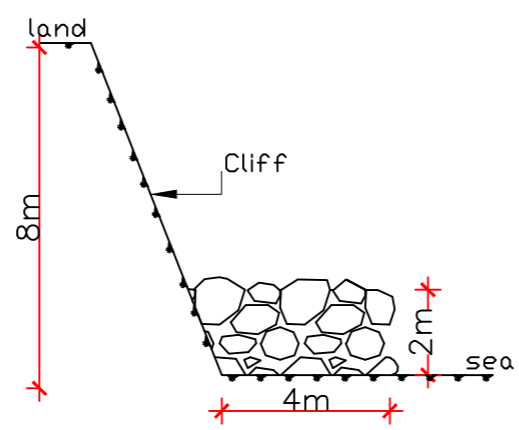
DRAINAGE SECTION AT THE CLIFF



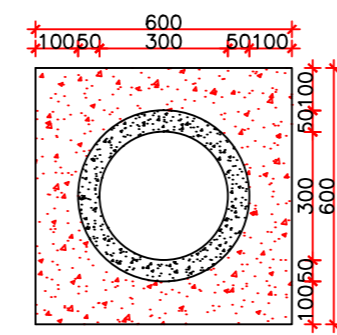
cross section drainage scale 1:25



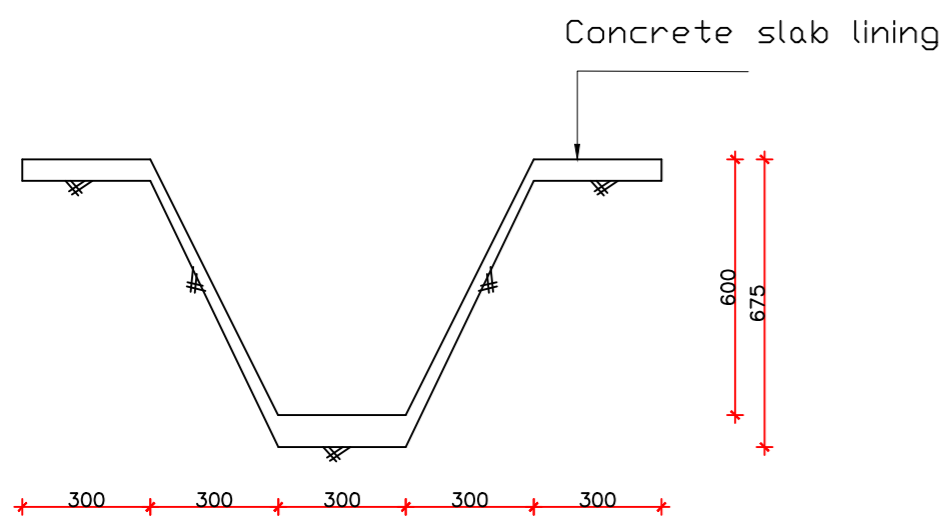
Section C drainage



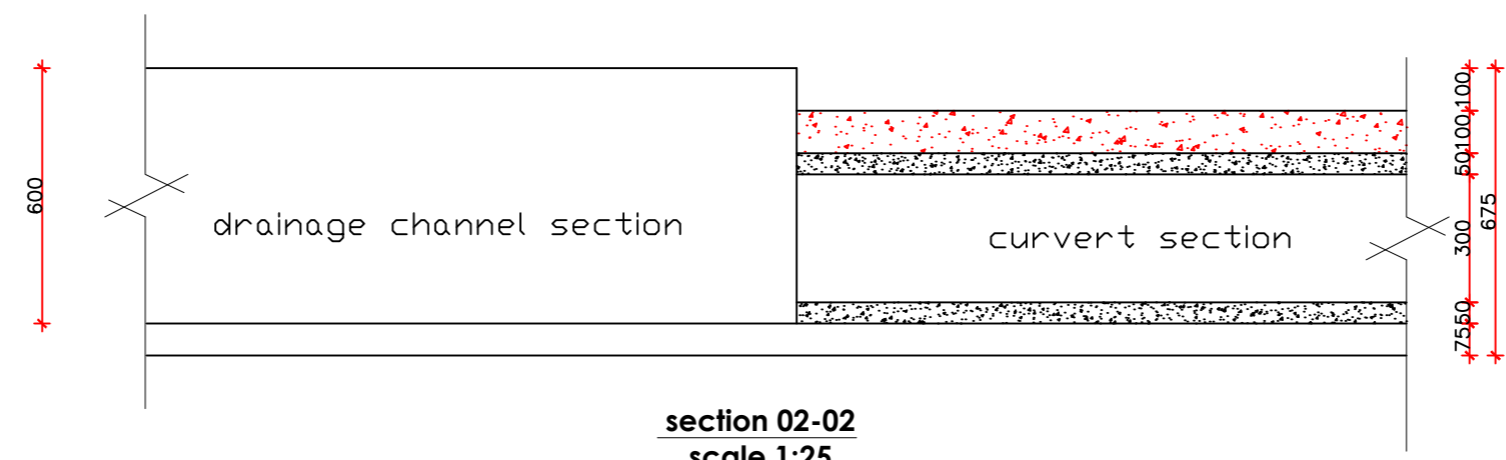
Rock / Boulders mound



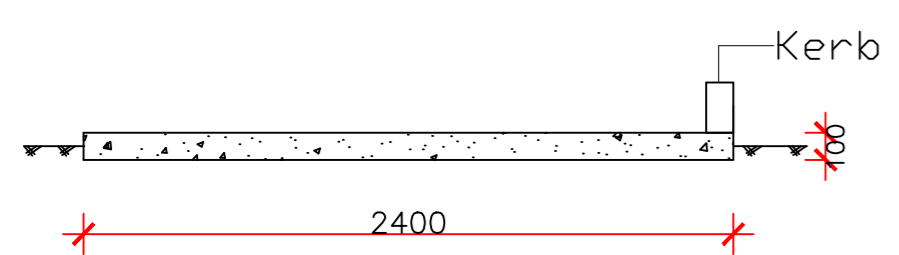
Culvert section scale 1:25



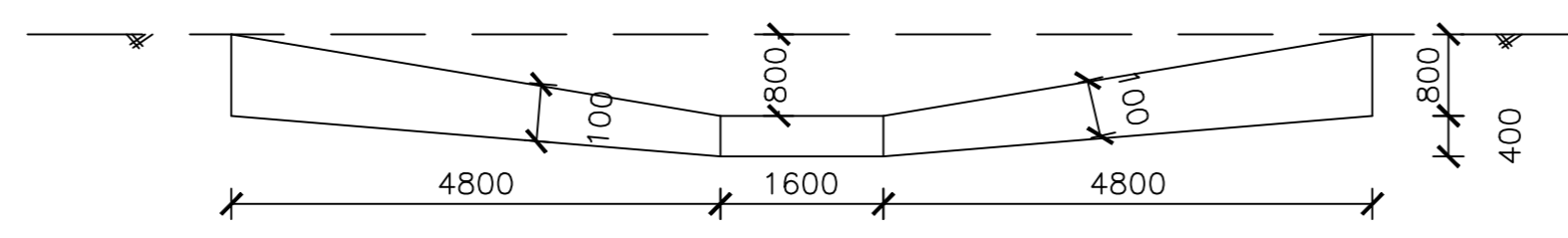
Section 01-01 scale 1:25



section 02-02 scale 1:25



Concrete slab scale 1:100



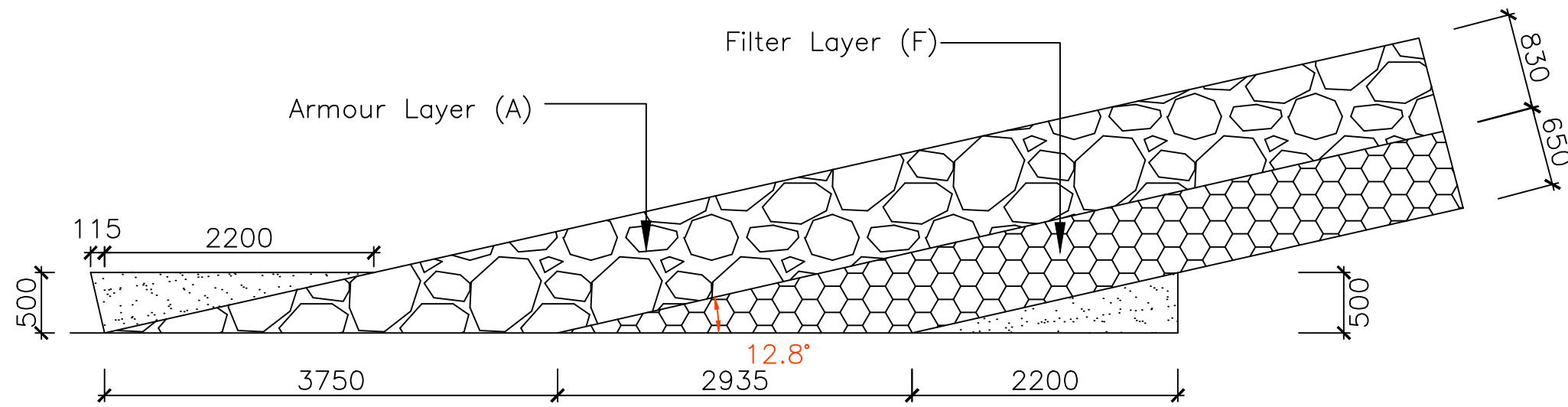
Curved slab scale 1:25

COAST DEVELOPMENT AUTHORITY

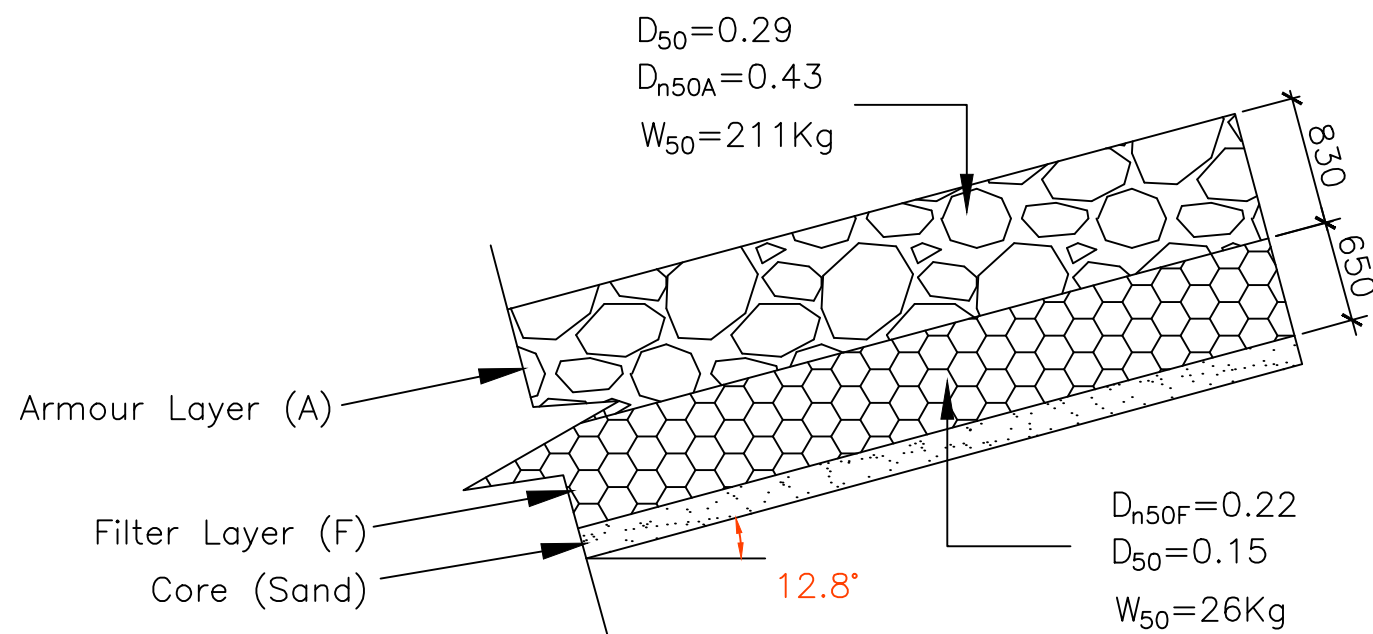
PROJECT:
SHORELINE STABILIZATION AT MWAEMBE BEACH - KCCAP

DATE: FEB, 2020	DESIGNED: J. Wainaina
DRAWN: R. Njuguna	CHECKED: J. Wainaina
SHEET NO. 1/3	DRG NO. CDA/KCCAP/Mwaembe/01

Toe details



Revetment details



COAST DEVELOPMENT AUTHORITY

PROJECT:
SHORELINE STABILIZATION AT
MWAEMBE BEACH - KCCAP

DRAWING TITLE:
TOE & REVETMENT DETAILS

DATE: JAN, 2020

DESIGNED:
J. Wainaina

DRAWN:
H. Moulid

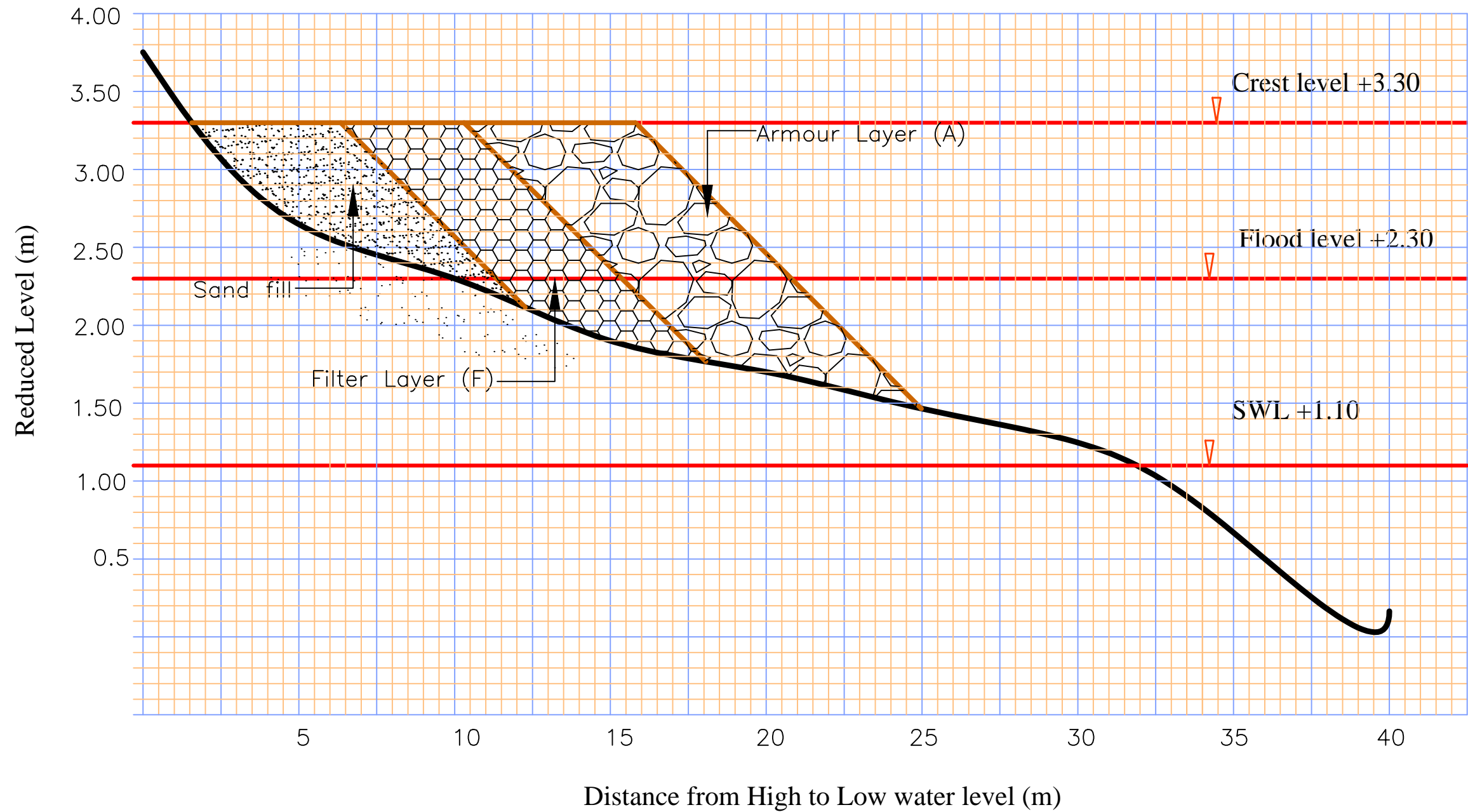
CHECKED:
J. Wainaina

SCALE: 1:50

SHEET NO. 2/3

DRG NO. CDA/KCCAP/Mwaembe/02

TYPICAL SEAWALL SECTION



COAST DEVELOPMENT AUTHORITY

PROJECT:
SHORELINE STABILIZATION AT
MWAEMBE BEACH - KCCAP

DRAWING TITLE:
TYPICAL SEAWALL SECTION

DATE: JAN, 2020

DESIGNED:
J. Wainaina

DRAWN:
H. Moulid

CHECKED:
J. Wainaina

SCALE: 1:100

SHEET NO. 3/3

DRG NO. CDA/KCCAP/Mwaembe/03