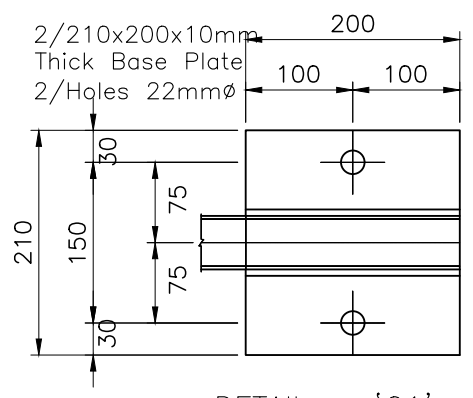
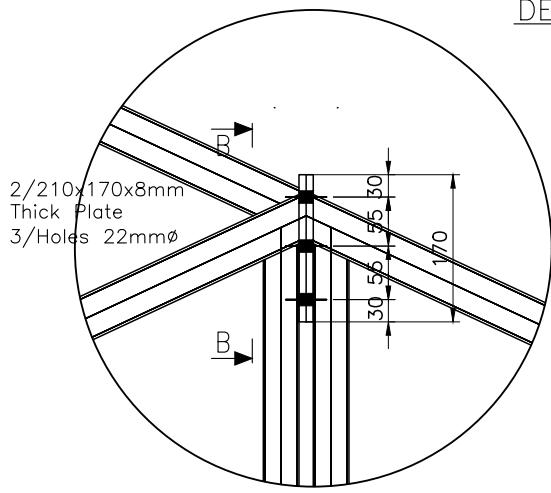


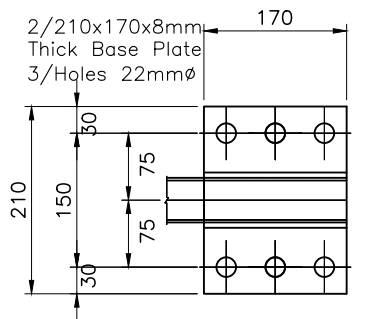
ROOF LAYOUT
SCALE 1:75



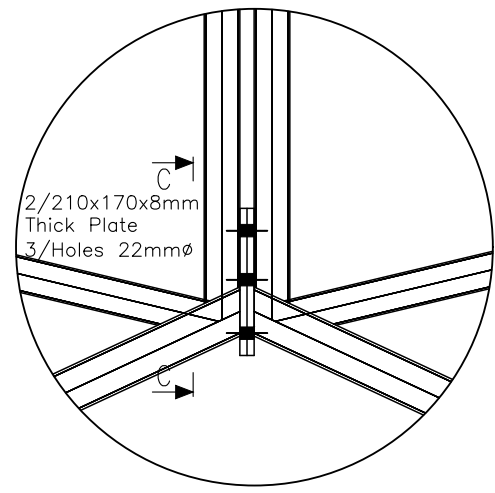
DETAIL ~ '01'



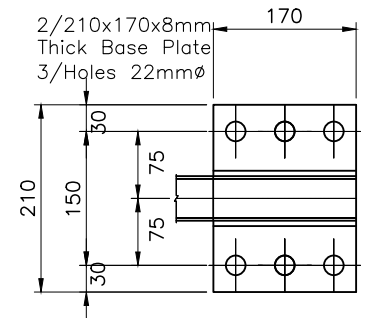
DETAIL ~ '03'



SECTION B-B



DETAIL ~ '04'



SECTION C-C

REV:	AMENDMENTS	DATE
TITLE: ROOF LAYOUT AND DETAILS		
PROJECT: ADAPTATION VILLAGE HALL		
CLIENT: NATIONAL ENVIRONMENT AND MANAGEMENT AUTHORITY		
Designed by: ENN	Drawn by: charles	
Checked by: CNG	Acad File:./Evans/2019/	
Date: SEPTEMBER 2019	Drg. No. 2019/09/19	
Scales: AS SHOWN	Sheet 1 OF 1	
ARCHITECTS SIMON KENYA	QUANGA ENGINEERS	