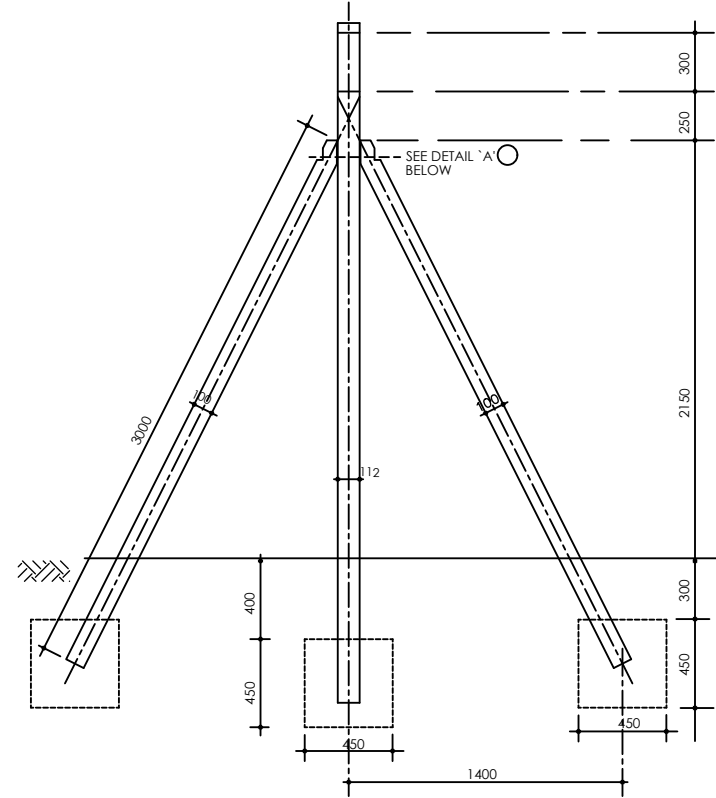
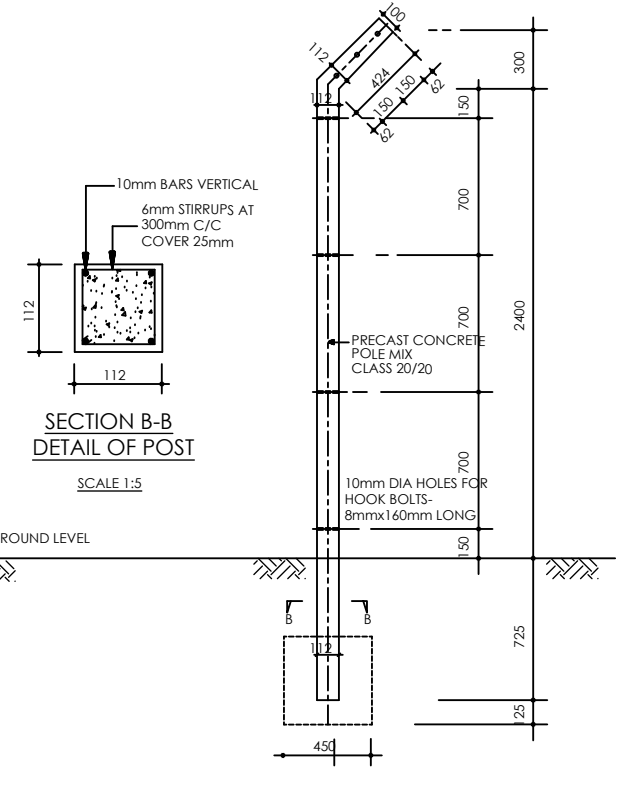


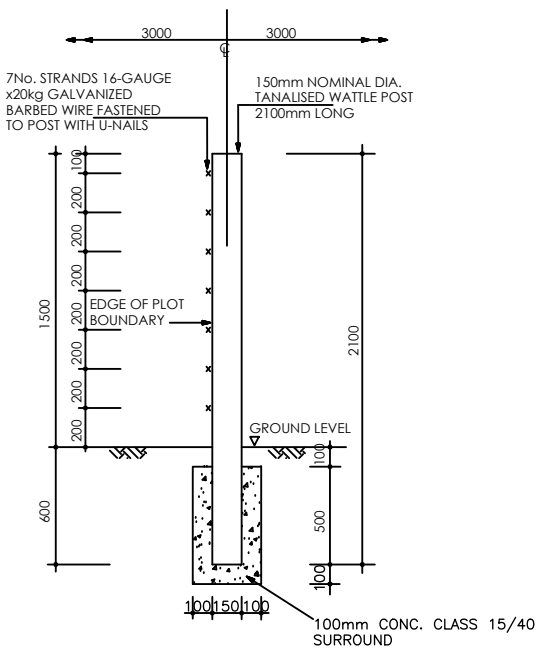
TYPICAL FRONT ELEVATION - STAYED POST
(STAYS TO BE PROVIDED AT 3000mm c/c AND AT CORNERS)
(N.T.S)



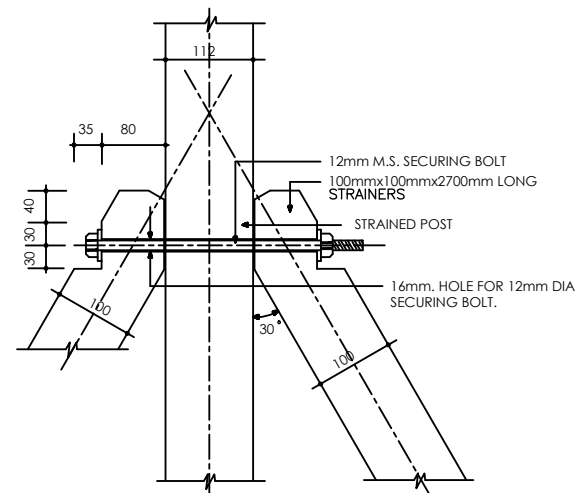
DETAILS OF STRAINING P.C.C. POST FOR
CHAIN LINK FENCE AT 33.3m. C/C
SCALE A1, 1:20
A3, 1:40



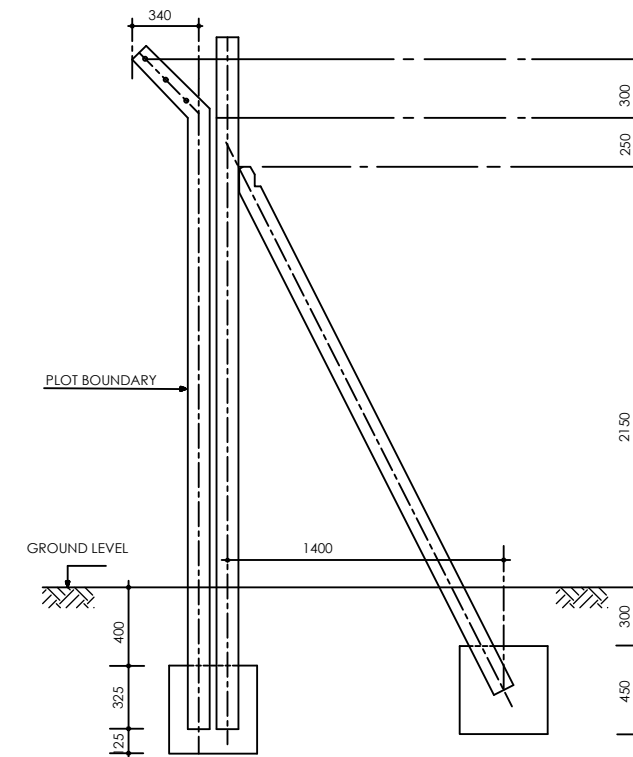
DETAILS OF SINGLE P.C.C.
POST AT 3.30m C/C
SCALE A1, 1:20
A3, 1:40



TYPICAL END ELEVATION - SINGLE POST
(TO BE PROVIDED AT 3000mm CENTRES)
(N.T.S)



DETAIL (A)
SCALE A1, 1:5
A3, 1:10




DETAILS OF CORNER POSTS
SCALE A1, 1:20
A3, 1:40

NOTES

- a) ALL CORNER POSTS AND EVERY 10 SINGLE POST TO HAVE 2No. STAYS
- b) POSTS TO BE AT 3000mm CENTRES
- c) TOP OF ALL POSTS TO BE KEPT IN UNIFORM LINE
- d) EXTENT OF FENCING SHOWN ON THE LAYOUT PLANS
- e) N.T.S = NOT TO SCALE
- f) ALL DIMENSIONS IN mm

NOTES

- a) APPROXIMATELY EVERY 10th POST TO BE STRAINED
- b) POST TO BE AT 3300mm CENTRES
- c) TOP OF ALL POSTS TO BE KEPT IN UNIFORM LINE.
- d) CONCRETE MIXES FOR:
 1. POSTS CLASS 20/20
 2. STRAINER POSTS CLASS 20/20
 3. FOUNDATION BLOCK CLASS 15/20 CONC.
- e) CHAIN LINK TO BE IN GAUGE 12 GALVANISED STEEL WIRE.
- f) STRAINING WIRES TO BE 12 GAUGE GALVANISED STEEL PLAIN WIRES.
- g) WIRES ON CRANK TO BE 12 GAUGE GALVANISED STEEL BARBED WIRE.
- h) ALL STRUCTURAL OPENING DIMENSIONS TO BE CONFIRMED ON SITE BEFORE COMMENCING ANY FABRICATION
- i) STRAINING WIRES TO BE FIXED TO POST WITH GALVANIZED HOOK BOLTS 8mm DIA.x60mm LONG
- j) WHERE THE POST ENCROACHES ON PRIVATE LAND THE FENCE SHOULD BE ERRECTED WITH CRANK POINTING TOWARDS THE SITE.
- k) ALL DIMENSIONS ARE IN mm. UNLESS OTHERWISE STATED.
- l) C/C = CENTRE TO CENTRE.
- m) CTs. = CENTRES.
- n) M.S = MILD STEEL.
- o) P.C.C = PRECAST CEMENT CONCRETE.

REVISION	DESCRIPTION	DATE
CLIENT		
NATIONAL ENVIRONMENTAL AUTHORITY 		
MANAGING DIRECTOR _____ DATE _____		
CONSULTING ENGINEERS		
QUANGA ENGINEERS		
DRAWING TITLE		
STANDARD DETAILS FENCING POSTS AND TYPICAL		
DATE	SCALE: As Shown	DRAWN: _____
DRAWING NO.		CHECKED: _____
		REV. _____