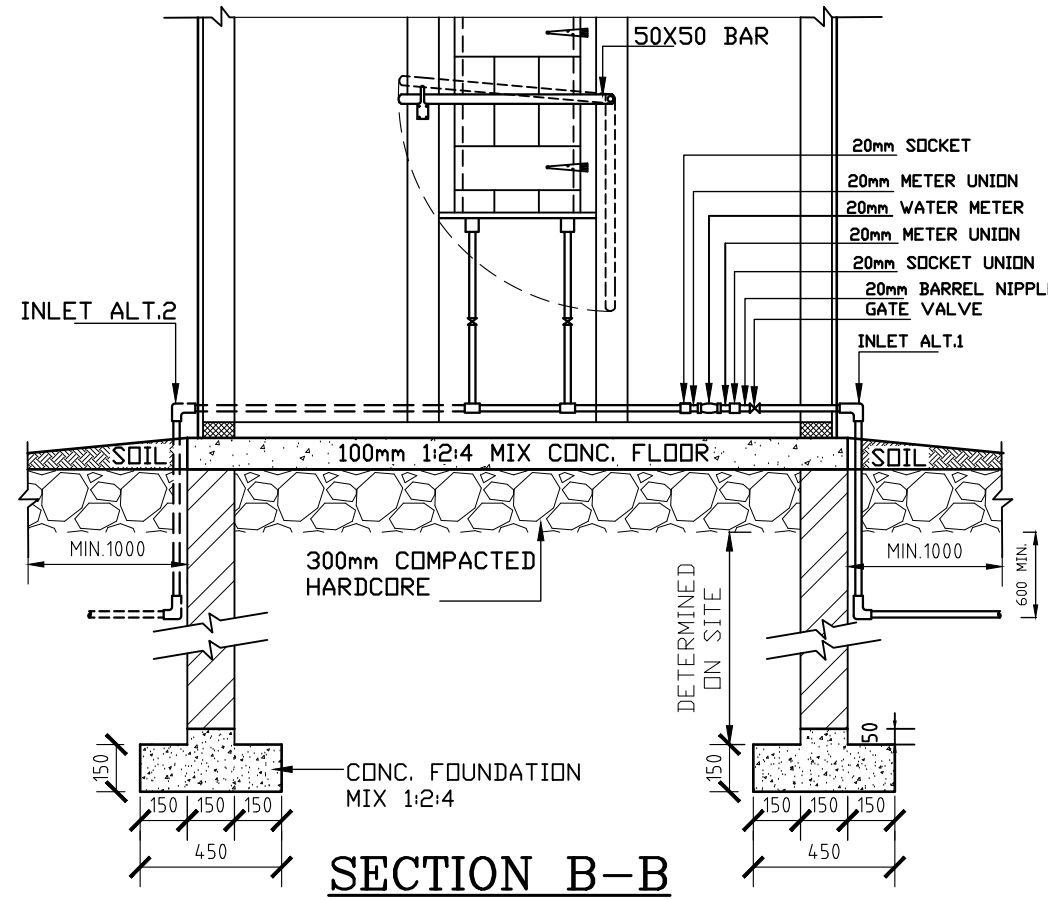
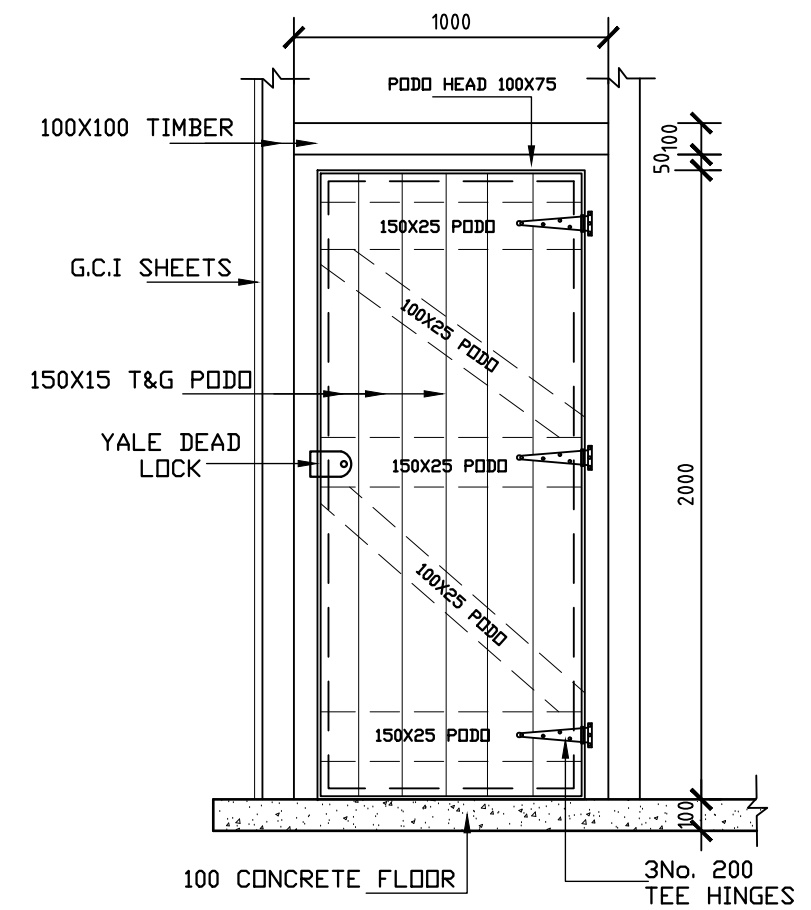


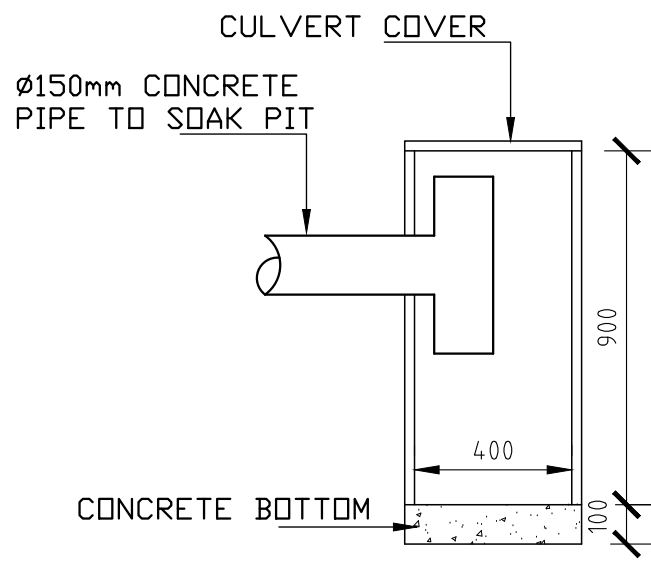
PLAN
SCALE 1:25



SECTION B-B
SCALE 1:25



DETAIL OF DOOR
SCALE 1:25



DETAIL OF CULVERT RING
SCALE 1:20

NATIONAL ENVIRONMENTAL AUTHORITY 
nema
malingita yeta | ubat weta | wajiba weta

WATER KIOSK
ALL DIMENSIONS IN MILLIMETERS

DESIGNED	ENN	Sep 2019	SHEET 1 OF 4
DRAWN	ENN		SCALE: AS SHOWN
DIGITIZED	ENN		DRG. NO.
CHECKED	ENG. GITAHI		
APPROVED	ENG. GITAHI		001