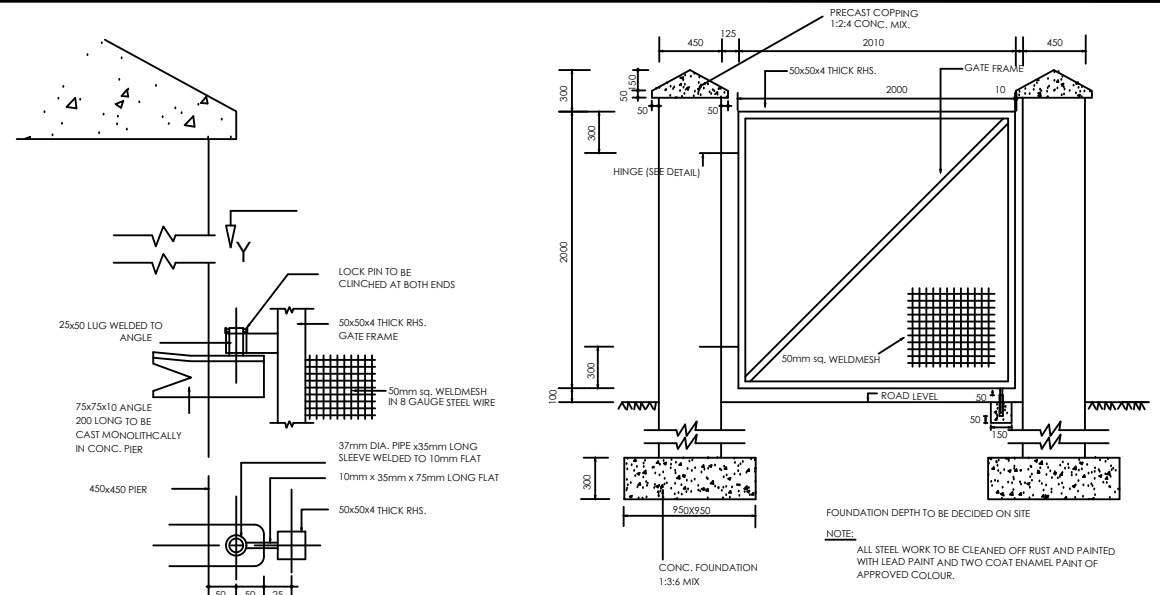


DETAILS OF HINGE (VIEW AT Y-Y)

DETAILS OF 4m WIDE GATE

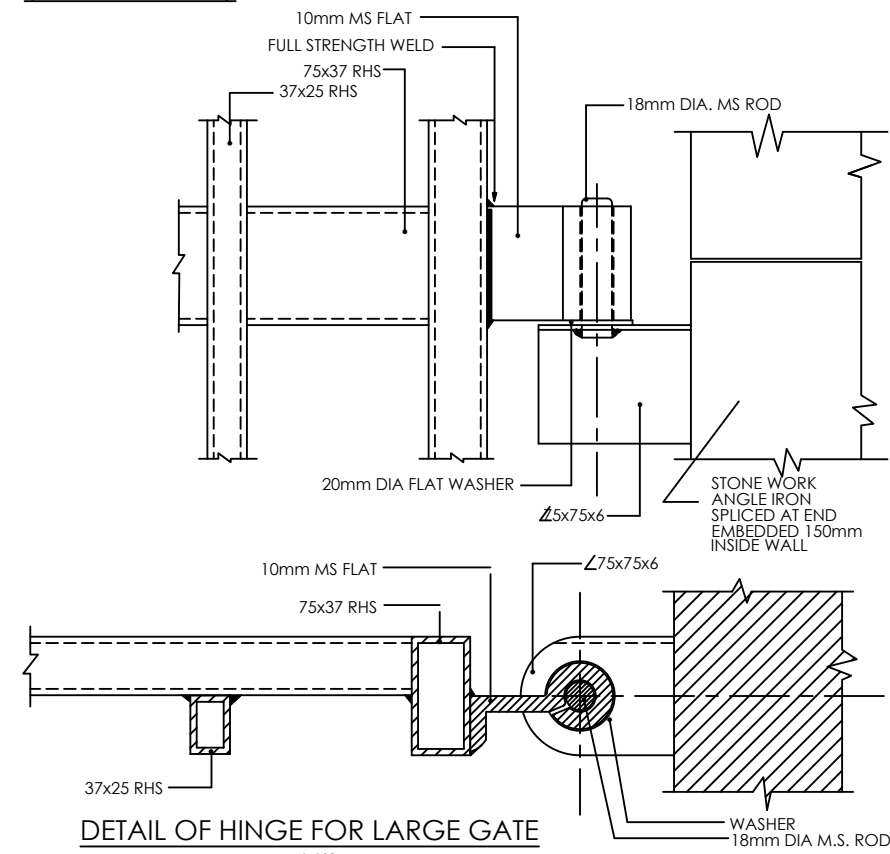
ELEVATION



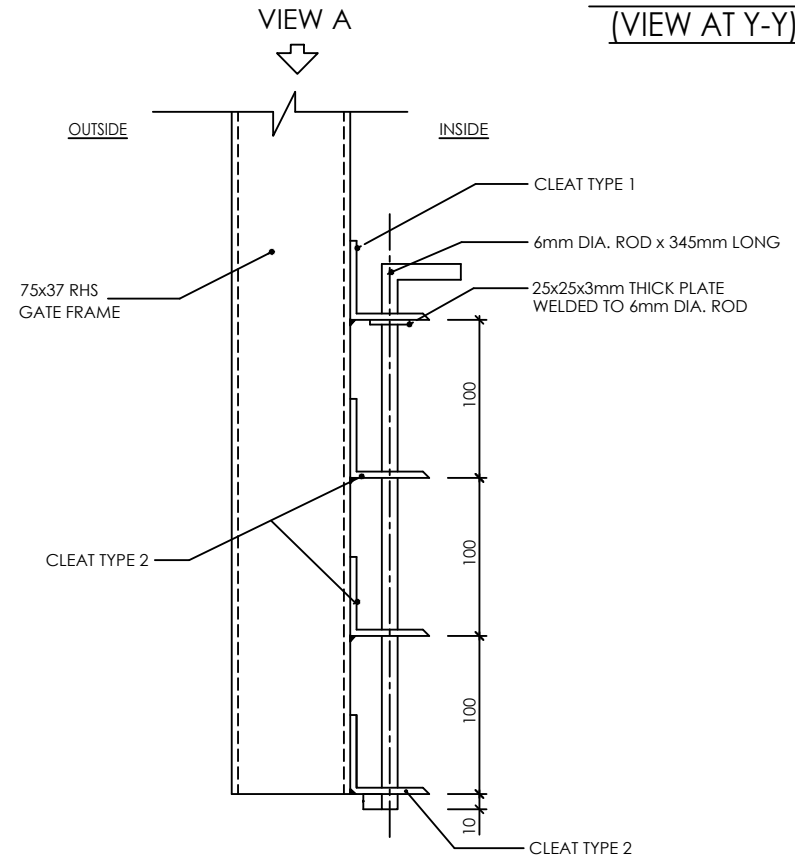
DETAILS OF HINGE (VIEW AT Y-Y)

DETAILS OF 2m WIDE GATE

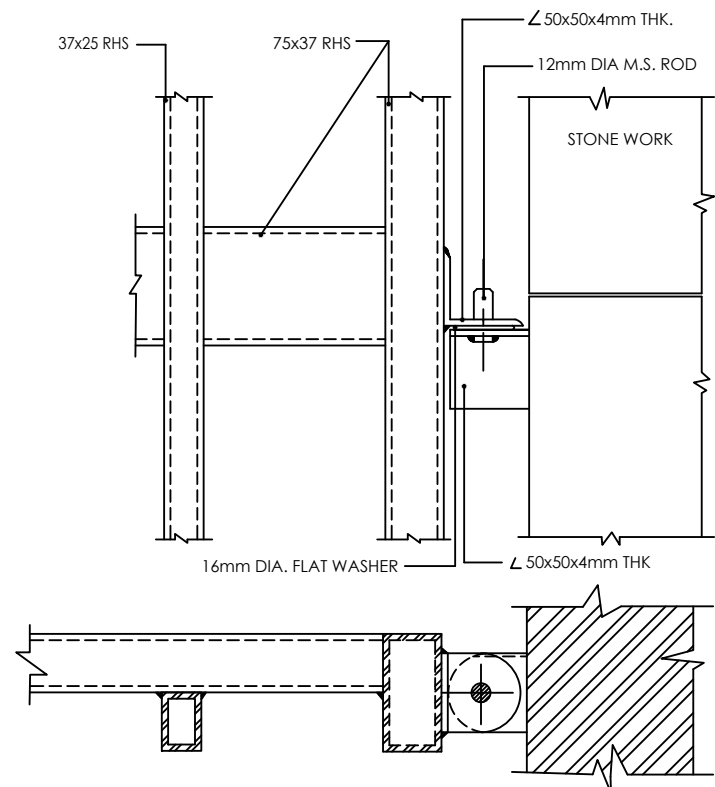
ELEVATION



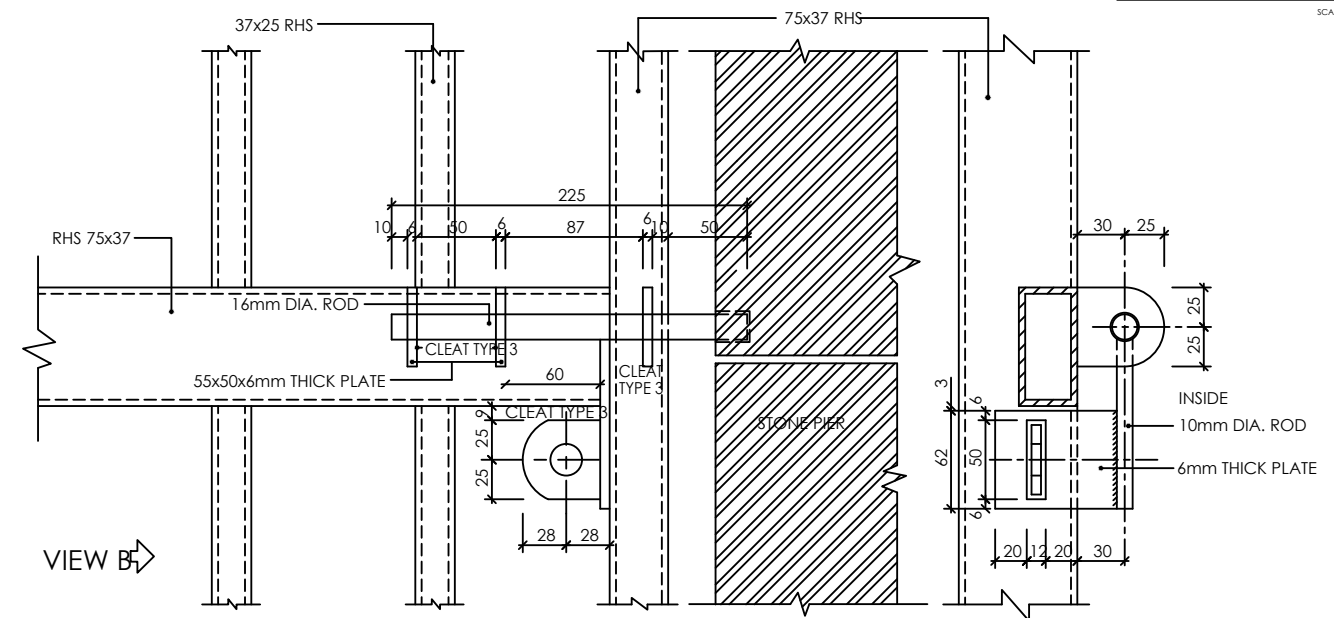
DETAIL OF HINGE FOR LARGE GATE



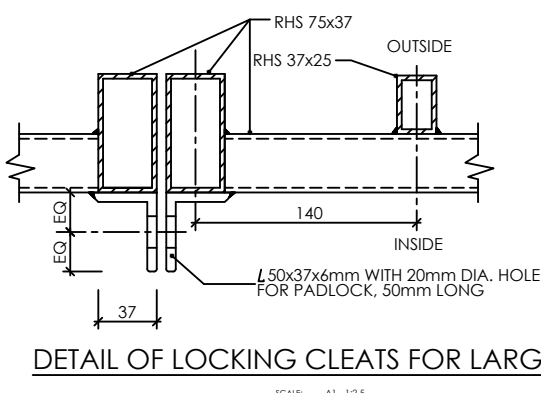
DETAIL OF DROP BOLT FOR LARGE GATE



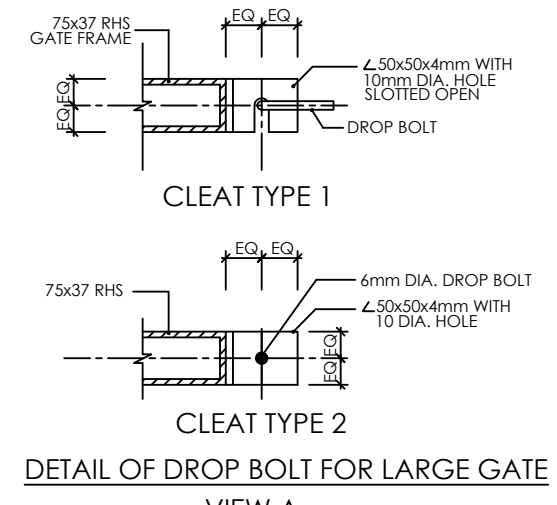
DETAIL OF HINGE FOR SMALL GATE



DETAIL OF LOCKING BOLT FOR SMALL GATE



DETAIL OF LOCKING CLEATS FOR LARGE GATE



DETAIL OF DROP BOLT FOR LARGE GATE

REVISION	DESCRIPTION	DATE
CLIENT		
NATIONAL ENVIRONMENTAL AUTHORITY		
MANAGING DIRECTOR _____ DATE _____		
CONSULTING ENGINEERS		
QUANGA ENGINEERS		
DRAWING TITLE		
4m WIDE GATE DETAILS		
DRG NO: QN/S01		
SHEET: 1 OF 1		
SCALE: 1:150		
DATE	SCALE: A1 1:2.5, A3 1:5	DRAWN: _____ CHECKED: _____
DRAWING NO.	(SHEET 1 OF 1)	